

PNEUMATIC MODULAR FRAME Series BYC-100

The BYC-100 frame belongs to the family of PN-MF (Pneumatic Modular Frame) systems, designed and produced to run specific tests on components from the bicycle sector. The system is produced entirely of aluminium and is used to run static and fatigue tests as indicated in the ISO-4210 standard.



Characteristics



MAXIMUM FLEXIBILITY
AND CONFIGURABILITY



SIMPLE
TO USE

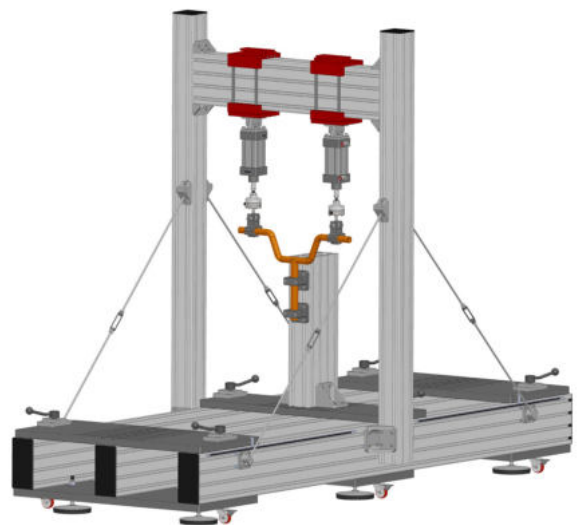
Technical specifications

The BYC-100 test bench consists of a base with three interface plates which allow the bicycle frame and the other parts subjected to tests to be held still, and a central portal whose cross strut is height-adjustable and allows up to two independent actuators to be connected. The system is compatible with the K-PN series of pneumatic actuator Kits and related anchor brackets.

Applications

The BYC-100 system is used most commonly and naturally in the bicycle sector. Due to the diversified series of clamps, it is particularly suitable for the following tests:

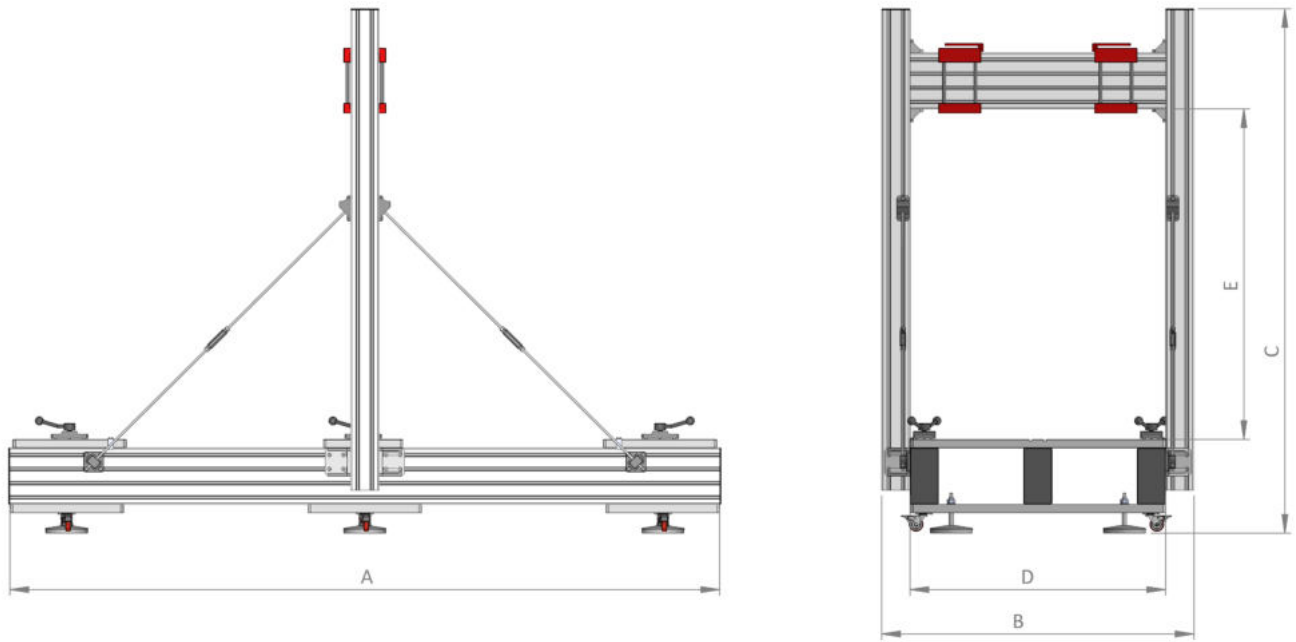
- Fatigue test on the frame with horizontal load
- Fatigue test on the frame with vertical load
- Fatigue test on the frame with the force applied on the pedals - biaxial
- Biaxial fatigue test on the handlebars
- Fatigue test on the front fork
- Static and fatigue test on the seat



Al fine di migliorare le prestazioni tecniche del prodotto, la società si riserva di apportare variazioni senza preavviso.
In order to improve the technical performances of the product, the company reserves the right to make any change without notice.

Frame BYC-100

Dimensions Frame BYC-100

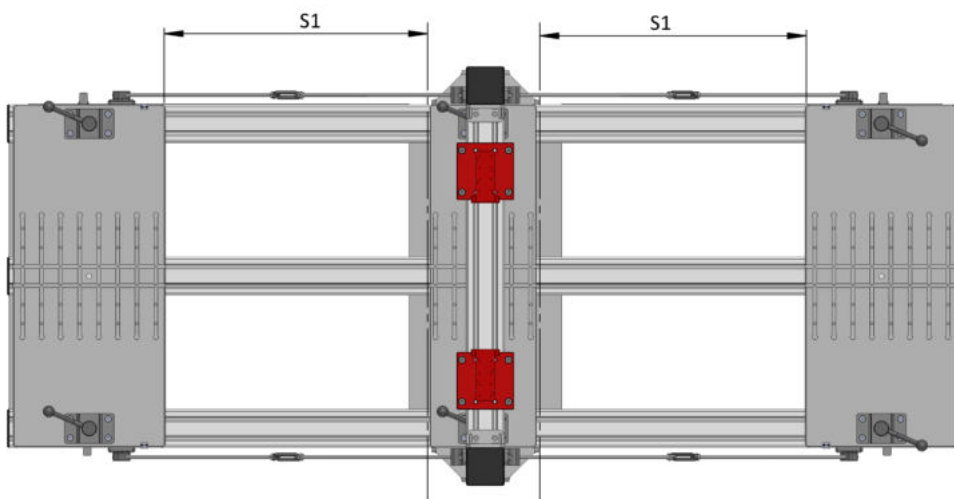
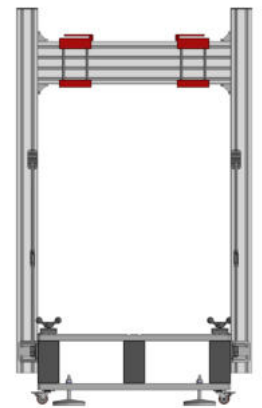


DIMENSIONS FRAME BYC-100

	A [mm]	B [mm]	C [mm]	D [mm]	E [mm]	Peso [Kg]
Test bench BYC-100	2500	1100	1950	900	1300	350

Easy handling

In the bottom part of the structure there are 6 wheels which allow it to be moved without particular difficulty and without the need to resort to using other instruments that assist with movement. The wheels come into operation after raising the anti-vibration feet and they stop working when the feet are pulled out of the frame and the entire structure is raised.

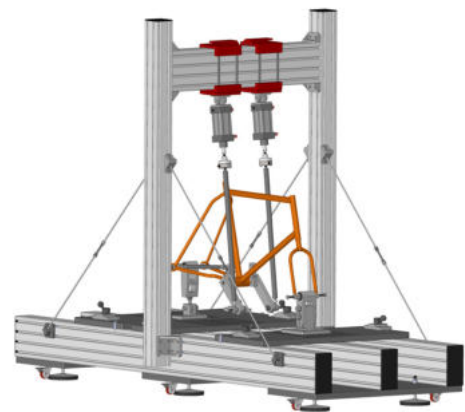


Details

Top interface plates positioned along the top surface of the frame. Stroke S1 allowed 600 mm

Frame: fatigue test with pedal thrust force

Kit code	Description	Standard
A-BYC-01	Accessory kit consisting of: front fork support, central movement support, jointed support for rear fork	ISO 4210-6:2018

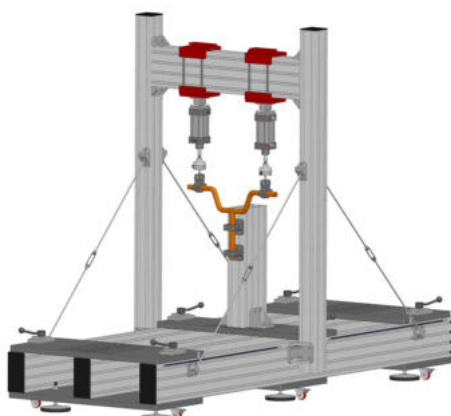


Frame: fatigue testing with horizontal force

Kit code	Description	Standard
A-BYC-02	Accessory kit consisting of: rear fork support, vertical support for actuator with coupling, carriage with linear rail for connection of the front fork	ISO 4210-6:2018

Frame: fatigue testing with vertical force

Kit code	Description	Standard
A-BYC-03	Accessory kit consisting of: rear fork support, carriage with linear rail for connection of the front fork, support with couplings for applying the vertical load	ISO 4210-6:2018



Frame: fatigue testing with vertical force

Kit code	Description	Standard
A-BYC-04	Accessory kit consisting of: aluminium drawpiece, support for handlebars stem, clamps for applying load to handlebars complete with ball couplings	ISO 4210-6:2018

Related systems

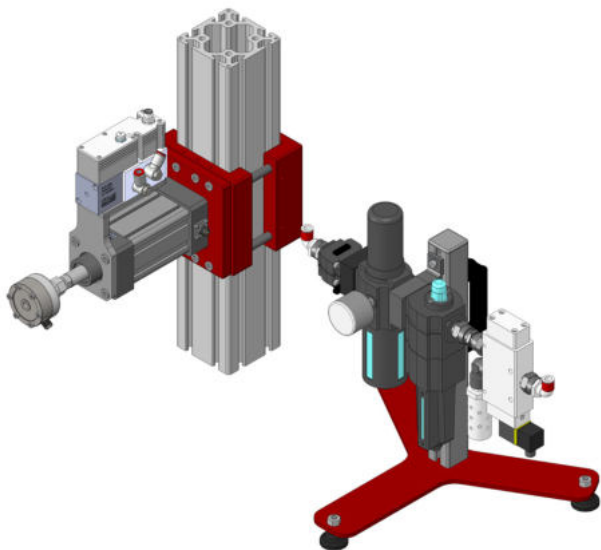
The entire series of PN-MF modular pneumatic frames is compatible with all the pneumatic actuator kits and related accessories - K-PN product category [see www.litem.info/kitpneumatici].

Real Time Controller RTC



Real Time Controller RTC 9001 with single axis or RTC 9000/A with multi-axis (up to 4 independent and simultaneous axes) complete with PC, monitor 27", mouse and keyboard.

Pneumatic Actuator Kit



Pneumatic actuator Kit complete with contactless displacement sensor, load cell, proportional servo-valve and air handling unit.

Al fine di migliorare le prestazioni tecniche del prodotto, la società si riserva di apportare variazioni senza preavviso.
In order to improve the technical performances of the product, the company reserves the right to make any change without notice.



TUTORIAL
VIDEO

DRC Srl
PRODUCTION AND SALES
Via Montesicuro, 58/B - 60131 Ancona (Italy)
Tel (+39) 071 80 36 077

EnginLAB Srl
RESEARCH AND DEVELOPMENT
Via Verità 3/a - 35131 Padova (Italy)
Tel (+39) 049 20 21 489

GENERAL INFORMATION
info@litem.info

www.litem.info